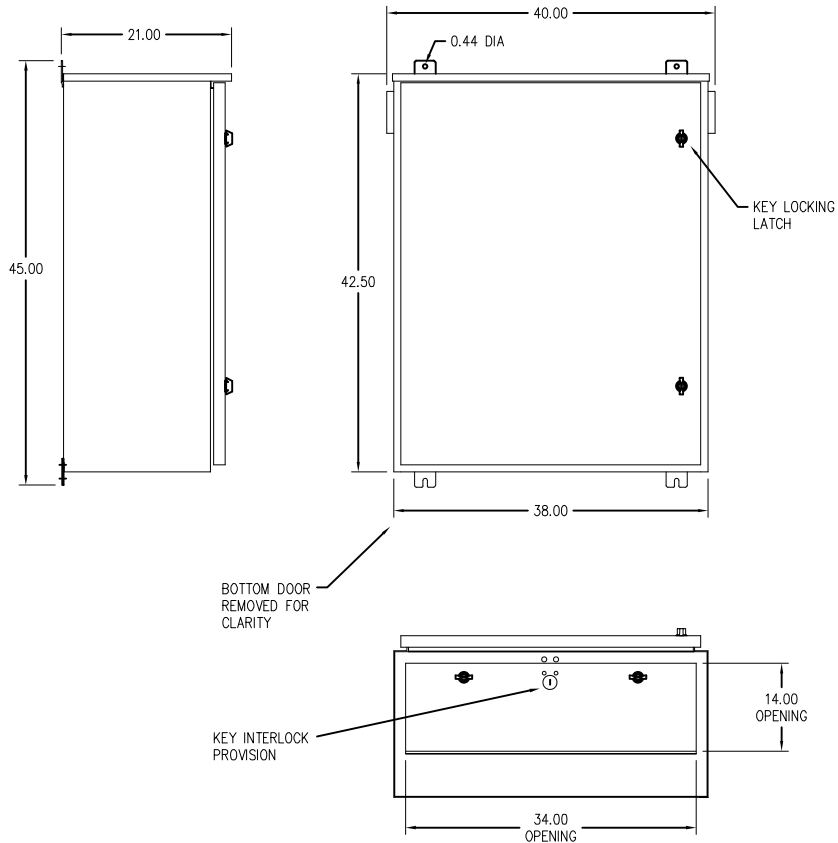


NOTES:

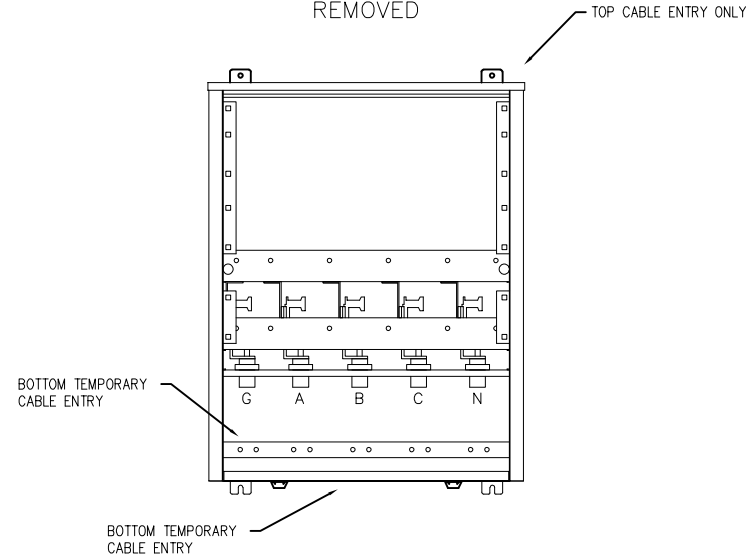
1. CURRENT RATING: 1600A
2. VOLTAGE: 480Y/277V
3. TYPE 3R UL50 LISTED ENCLOSURE
4. BUS BRACING: 35k
5. NEUTRAL CONNECTION: YES
6. GROUNDS CONNECTORS: QTY (6) #6-350kcmil
7. PHASE LUGS: QTY (6) 1/0-750kcmil PER PHASE
8. MATERIAL: GALVANEAL
9. UL1008 LISTED POWER INLET
10. PAINT: ANSI 61 LIGHT GRAY

11. CAM TYPE: MALE LEVITON SERIES 16
12. CAM RECEPTACLE:
 - A PHASE - (4) BROWN
 - B PHASE - (4) ORANGE
 - C PHASE - (4) YELLOW
 - NEUTRAL - (4) WHITE
 - GROUND - (3) GREEN

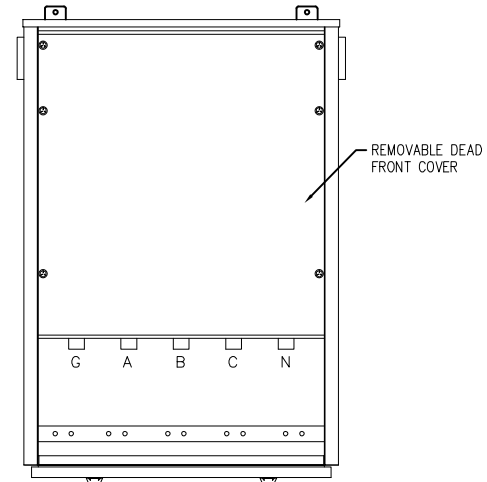
ENCLOSURE DIMENSIONS
APPROXIMATE WEIGHT: 450lbs



ENCLOSURE WITH FRONT DOOR AND DEAD FRONT COVER REMOVED



ENCLOSURE WITH FRONT DOOR REMOVED



NOT FOR CONSTRUCTION (N.T.S.)



Mailing Address:
15892 W. 74th Ave.
Arvada, CO 80007

This drawing is considered company confidential and property of Kratos Industries, LLC and shall not be used without written consent.

REV	DATE	BY	BLK	TH	DESCRIPTION
02	1/29/20				TITLE BLOCK UPDATE
01	4/21/18				APPROVAL DRAWINGS

Title: KRATOS KAMBOX 1600A 3PH 4 W - 480Y/277V

Project:

Drawing no: K1600MC

Project Code: