

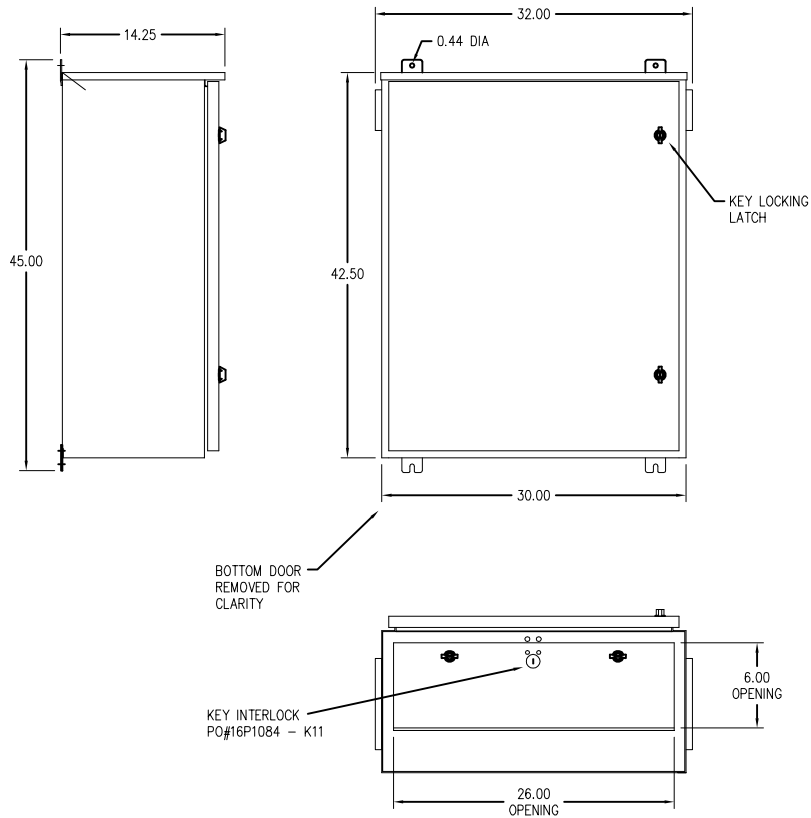
NOTES:

1. CURRENT RATING: 400A
2. VOLTAGE: 480Y/277V
3. ENCLOSED TRANSFER SWITCH INLET
4. BUS BRACING: 35k
5. NEUTRAL CONNECTION: YES
6. GROUNDS CONNECTORS: QTY (2) #350kcmil
7. PHASE LUGS: QTY (2) 3/0 or (1) 600kcmil PER PHASE
8. MATERIAL: GALVANEAL
9. ENCLOSURE RATING: TYPE 3R UL LISTED
10. PAINT: ANSI 61 LIGHT GRAY

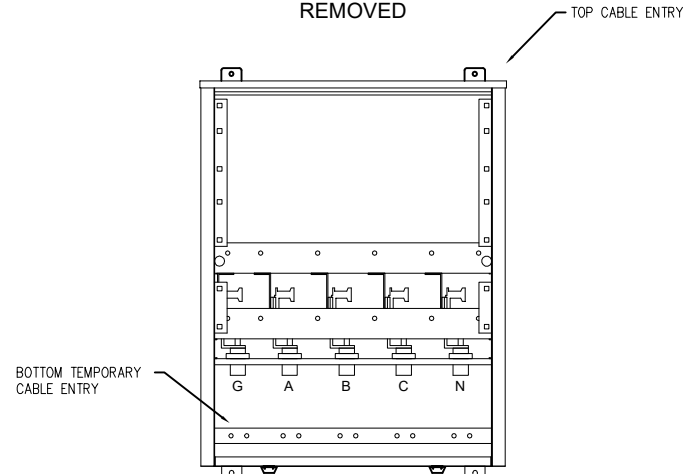
11. CAM TYPE: MALE LEVITON SERIES 16
12. CAM RECEPTACLE:
 - A PHASE - (1) BROWN
 - B PHASE - (1) ORANGE
 - C PHASE - (1) YELLOW
 - NEUTRAL - (1) WHITE
 - GROUND - (1) GREEN

ENCLOSURE DIMENSIONS

DIMENSIONS ARE APPROXIMATE
APPROXIMATE WEIGHT: 300lbs

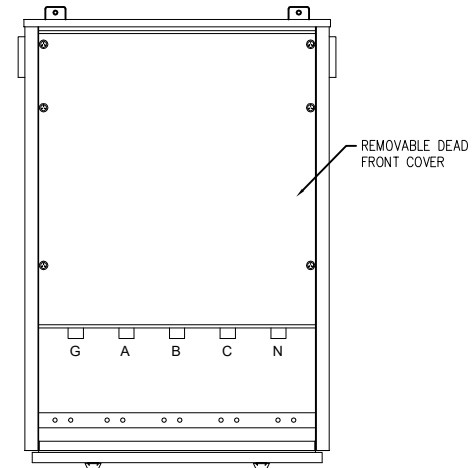


ENCLOSURE WITH FRONT DOOR AND DEAD FRONT COVER REMOVED



LAYOUT MAY CHANGE
BASED ON APPLICATION
AND FINAL DESIGN.

ENCLOSURE WITH FRONT DOOR REMOVED



NOT FOR CONSTRUCTION



Mailing Address:
15892 W. 74th Ave.
Arvada, CO 80007
This drawing is considered company
confidential and property of Kratos
Industries, LLC and shall not be used
without written consent.

REV	DATE	BY	DESCRIPTION
01	2/12/20		QUOTATION PACKAGE DRAWINGS

Title	Kratos Kambox 400A - 480Y/277V
Project	

Drawing no.	-
Project Code	-