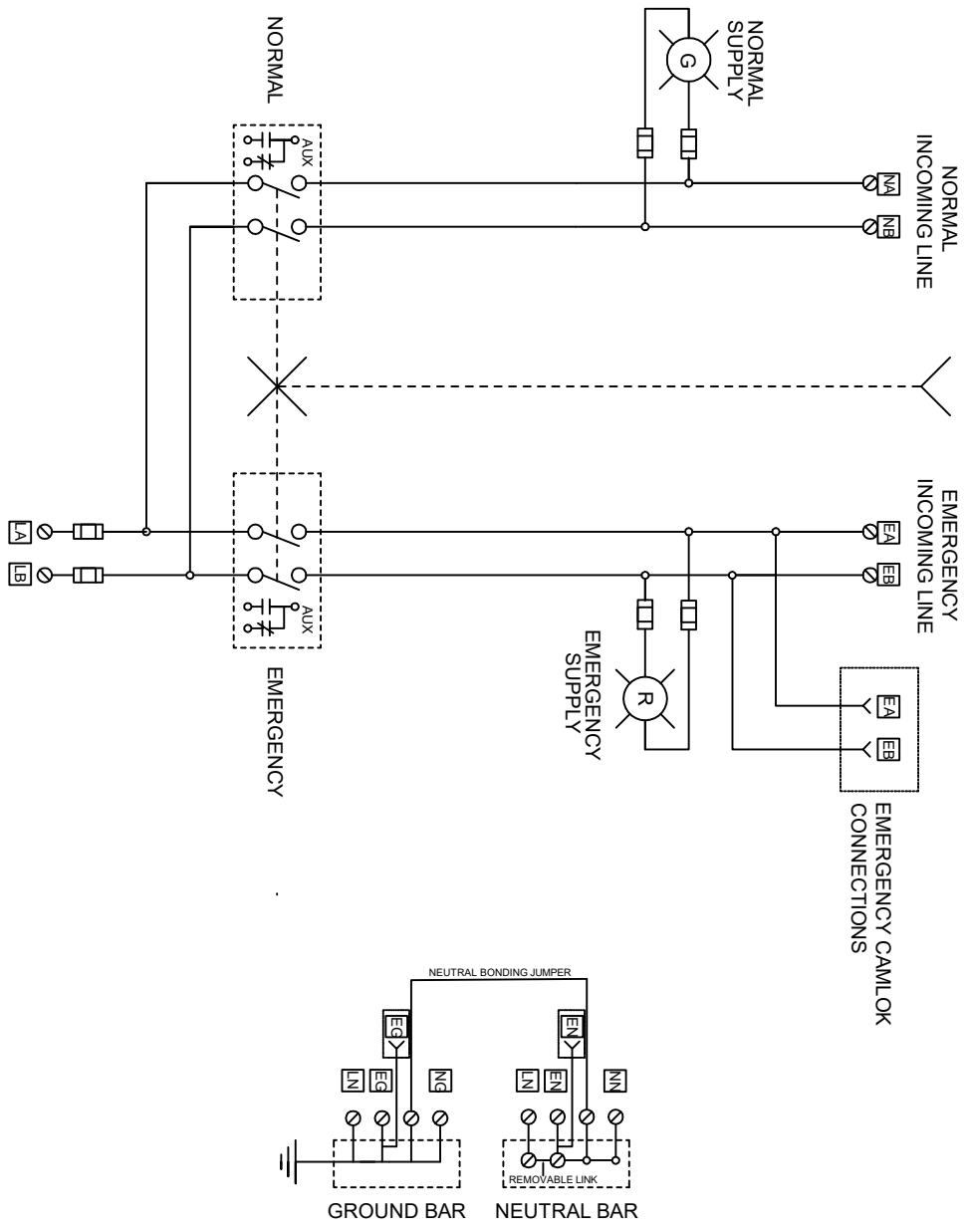


200A MTS WITH CAMLOK CONNECTIONS
 UL-1008 SWITCH
 TYPE 3R OUTDOOR
 FINISH ANSI 61
 ESTIMATED WEIGHT: 180 LBS
 NON SERVICE ENTRANCE RATED
 VOLTAGE: 240V 1PH 3W AND GROUND
 CAMLOK: FEMALE 400A RATED EA



NOT FOR CONSTRUCTION

Drawing no. -
 Project Code: SH3 of 3
 Title: 200A MTS WITH CAMLOK CONNECTIONS
 KMTS-0200-01-02-01-01-02-01
 Project:

REV	DATE	BY	DESCRIPTION
01	2/12/20	TH	QUOTATION PACKAGE DRAWINGS

Mailing Address:
 15892 W. 74th Ave.
 Arvada, CO 80007
 This drawing is considered company confidential and property of Kratos Industries, LLC and shall not be used without written consent.

