

4 POLE MTS WIRING DIAGRAM  
 UL-1008 SWITCH (UP TO 1200A)  
 UL 508A CONSTRUCTION (UP TO 1200A)  
 AMP RANGE: 60 - 3000A  
 VOLTAGE: MAX 600VAC

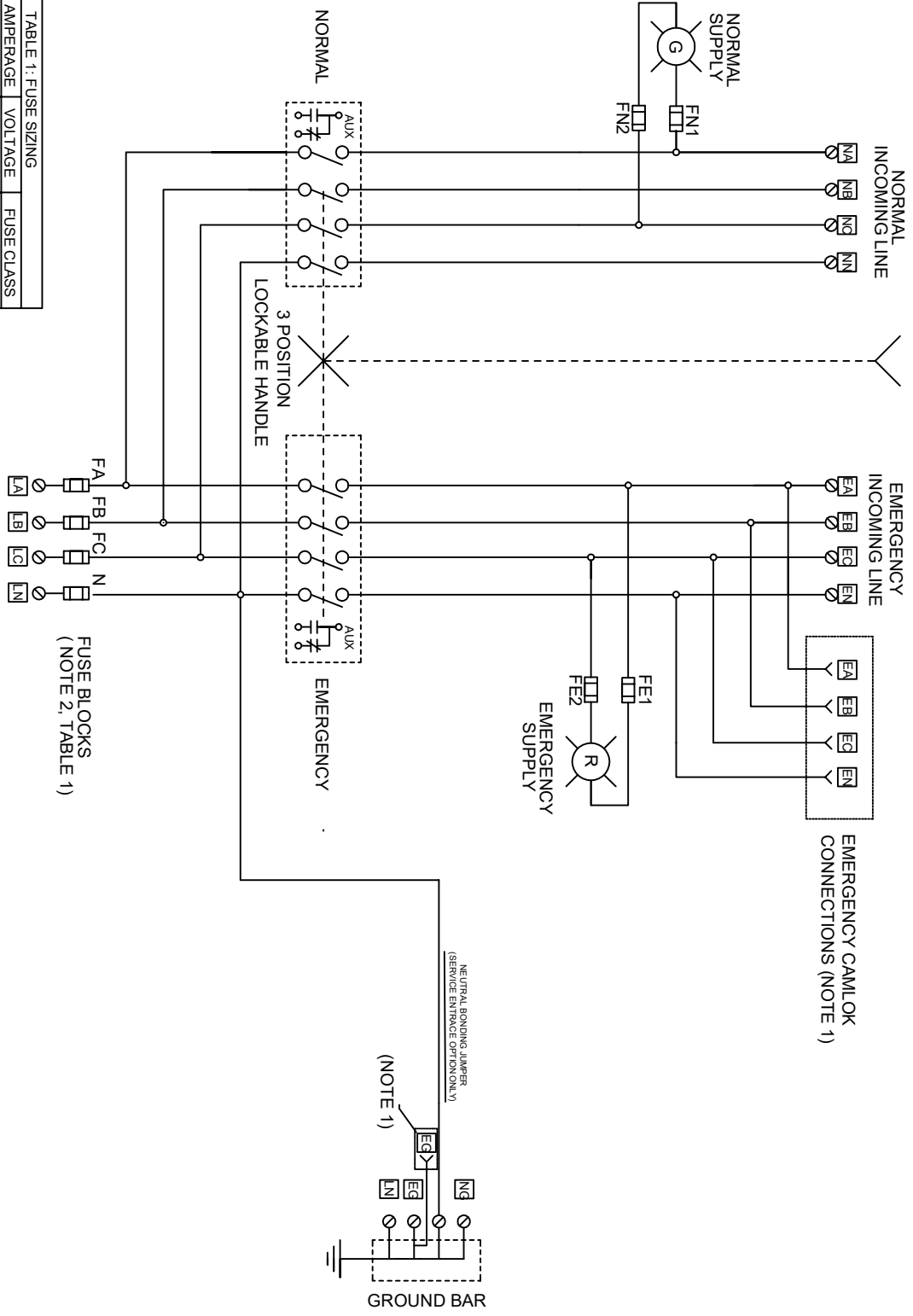


TABLE 1: FUSE SIZING

FUSE	AMPERAGE	VOLTAGE	FUSE CLASS
FA, FB, FC	60 - 600	120/208	R
EA, EB, EC	60 - 600	480-600	J
FA, FB, FC	800 - 3000	480-600	L
FN1, FN2, FE1, FE2	208/240	480-600	.6A
FN1, FN2, FE1, FE2	480	480	.3A

FUSE BLOCKS  
(NOTE 2, TABLE 1)

NOTES:  
 1: OPTIONAL ITEM, SEE PART NO.  
 2: OPTIONAL ITEM, SEE PART NO.  
 FUSES SUPPLIED SEPARATELY

NOT FOR CONSTRUCTION

Title 4 POLE KRATOS MTS WIRING DIAGRAM	
Drawing no. Project Code: Sht 1 of 1	Project

REV	DATE	BY	DESCRIPTION
02	4/28/20	TH	UPDATED FOR 4 POLE
01	2/12/20	TH	QUOTATION PACKAGE DRAWINGS

Mailing Address:  
 15892 W. 74th Ave.  
 Arvada, CO 80007

This drawing is considered company confidential and property of Kratos Industries, LLC and shall not be used without written consent.

