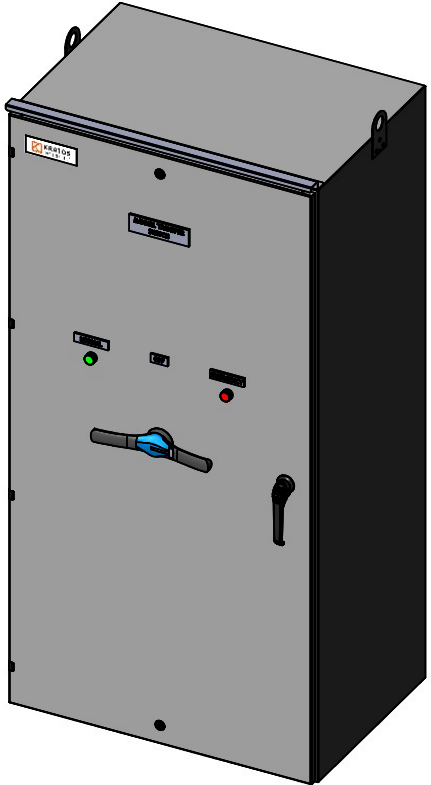
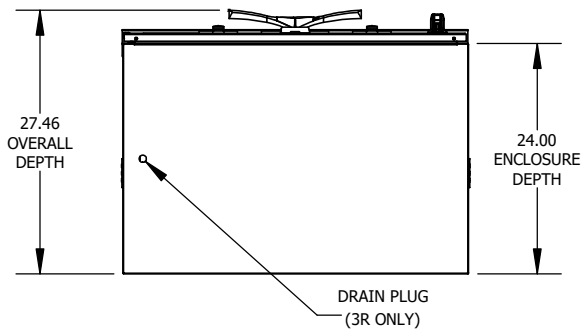
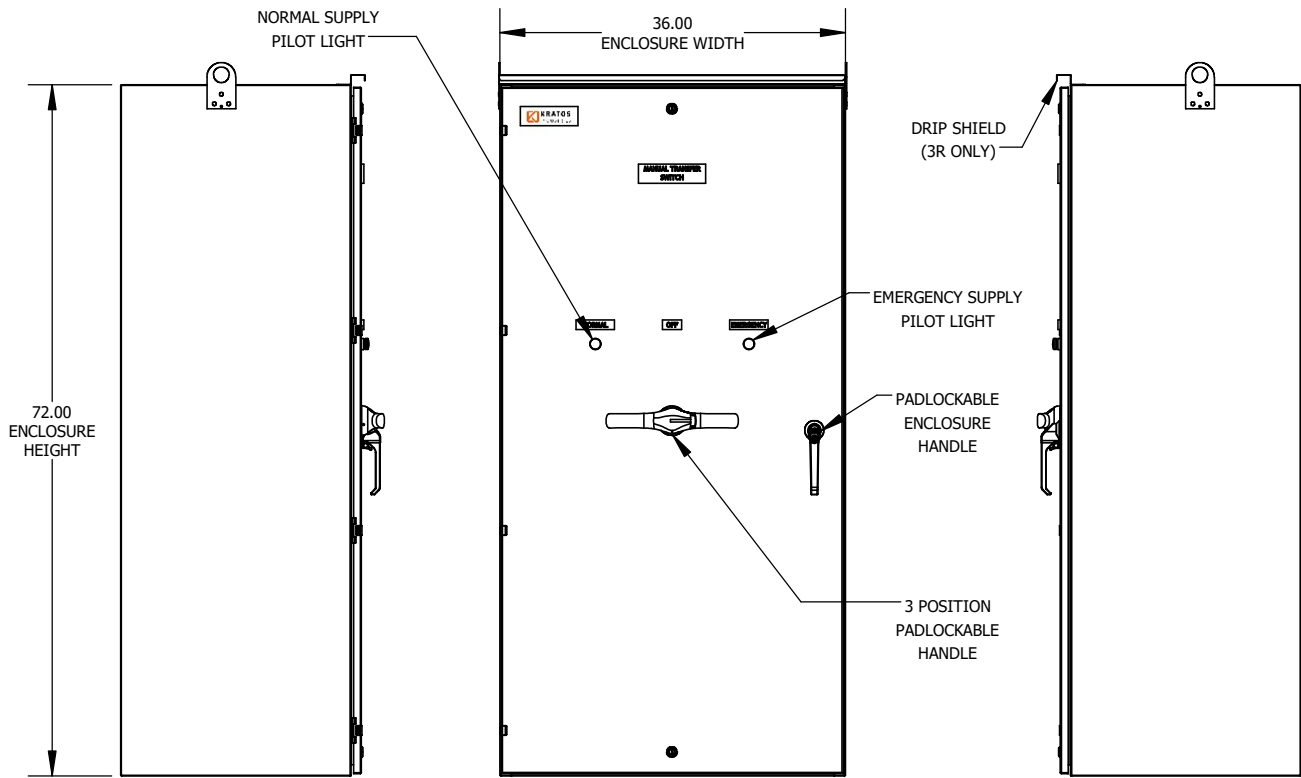


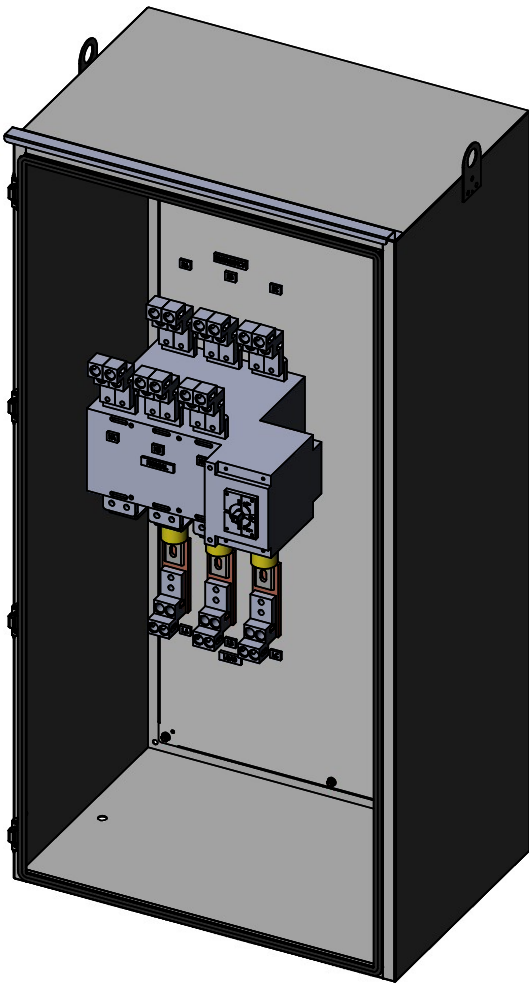
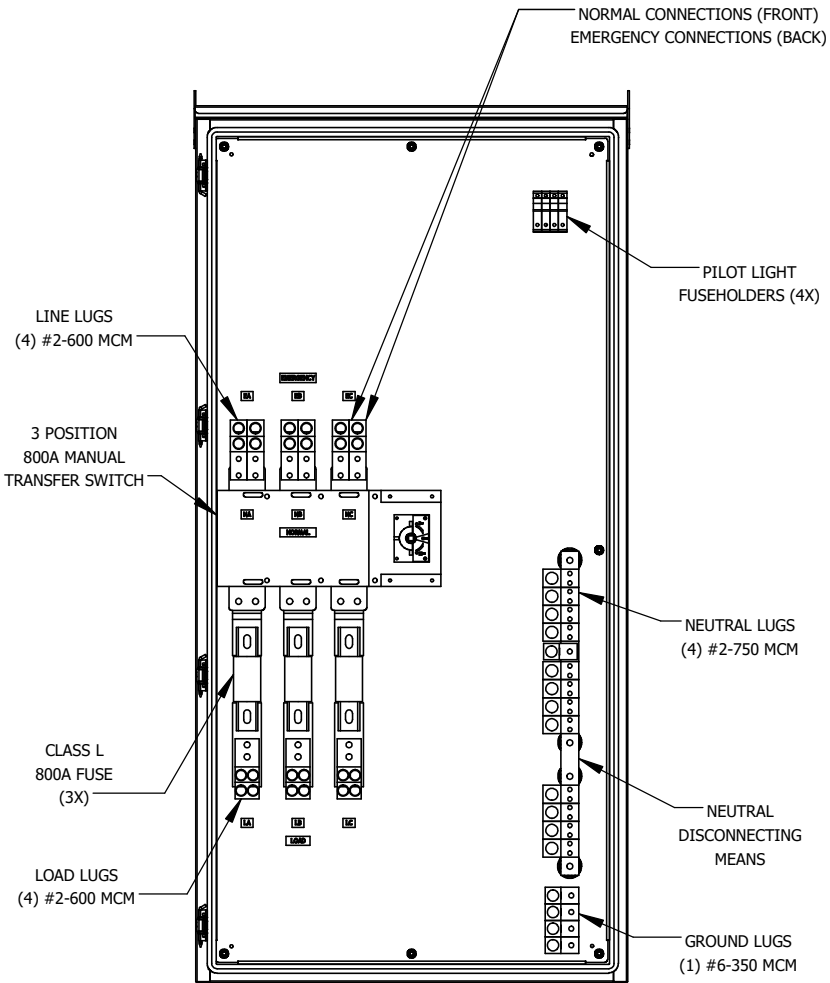
SPECIFICATIONS	PART NUMBER	TYPE	FINISH	SERVICE ENTRANCE RATED
MAX VOLTAGE - 600VAC 3 Ø	KMTS-0800-XX-01-02-01-01	1	ANSI 61	YES
RATED CURRENT - 800 A	KMTS-0800-XX-02-02-01-01	3R	ANSI 61	YES
STANDARDS - UL508A	KMTS-0800-XX-03-02-01-01	4X	304 SS STD. (316 SS OPTIONAL)	YES
ENCLOSURE RATING - SEE CHART	KMTS-0800-XX-01-02-01-02	1	ANSI 61	NO
DURABILITY - 3050 CYCLES	KMTS-0800-XX-02-02-01-02	3R	ANSI 61	NO
LINE SIDE CABLE BEND RADIUS - 19.00"	KMTS-0800-XX-03-02-01-02	4X	304 SS STD. (316 SS OPTIONAL)	NO
LOAD SIDE CABLE BEND RADIUS - 20.25"				

REV.	DESCRIPTION	DATE
A	INITIAL RELEASE	7/29/2020



MAILING ADDRESS: 15892 W. 74TH AVE. ARVADA, CO 80007		
NOTE: ALL DIMENSIONS IN INCHES		
PART NO. KMTS-0800-XX-XX-02-01-XX	DRAWN BY JUSTIN HILBERT	SHEET 1 of 2
DESCRIPTION 800A FUSED MTS		PROJECT
THIS DRAWING IS CONSIDERED COMPANY CONFIDENTIAL AND PROPERTY OF KRATOS INDUSTRIES, LLC AND SHALL NOT BE USED WITHOUT WRITTEN CONSENT.		

REV.	DESCRIPTION	DATE
A	INITIAL RELEASE	7/29/2020



MAILING ADDRESS: 15892 W. 74TH AVE. ARVADA, CO 80007		
NOTE: ALL DIMENSIONS IN INCHES		
PART NO. KMTS-0800-XX-XX-02-01-XX	DRAWN BY JUSTIN HILBERT	SHEET 2 of 2
DESCRIPTION 800A FUSED MTS		PROJECT
THIS DRAWING IS CONSIDERED COMPANY CONFIDENTIAL AND PROPERTY OF KRATOS INDUSTRIES, LLC AND SHALL NOT BE USED WITHOUT WRITTEN CONSENT.		