

3 POLE MTS WIRING DIAGRAM  
 UL-1008 SWITCH (UP TO 1200A)  
 UL 508A CONSTRUCTION (UP TO 1200A)  
 AMP RANGE: 60 - 3000A  
 VOLTAGE: MAX 600VAC

NOTES:  
 1: OPTIONAL ITEM, SEE PART NO.  
 2: OPTIONAL ITEM, SEE PART NO.  
 FUSES SUPPLIED SEPARATELY  
 3: OPTIONAL ITEM, PHASE ROTATION

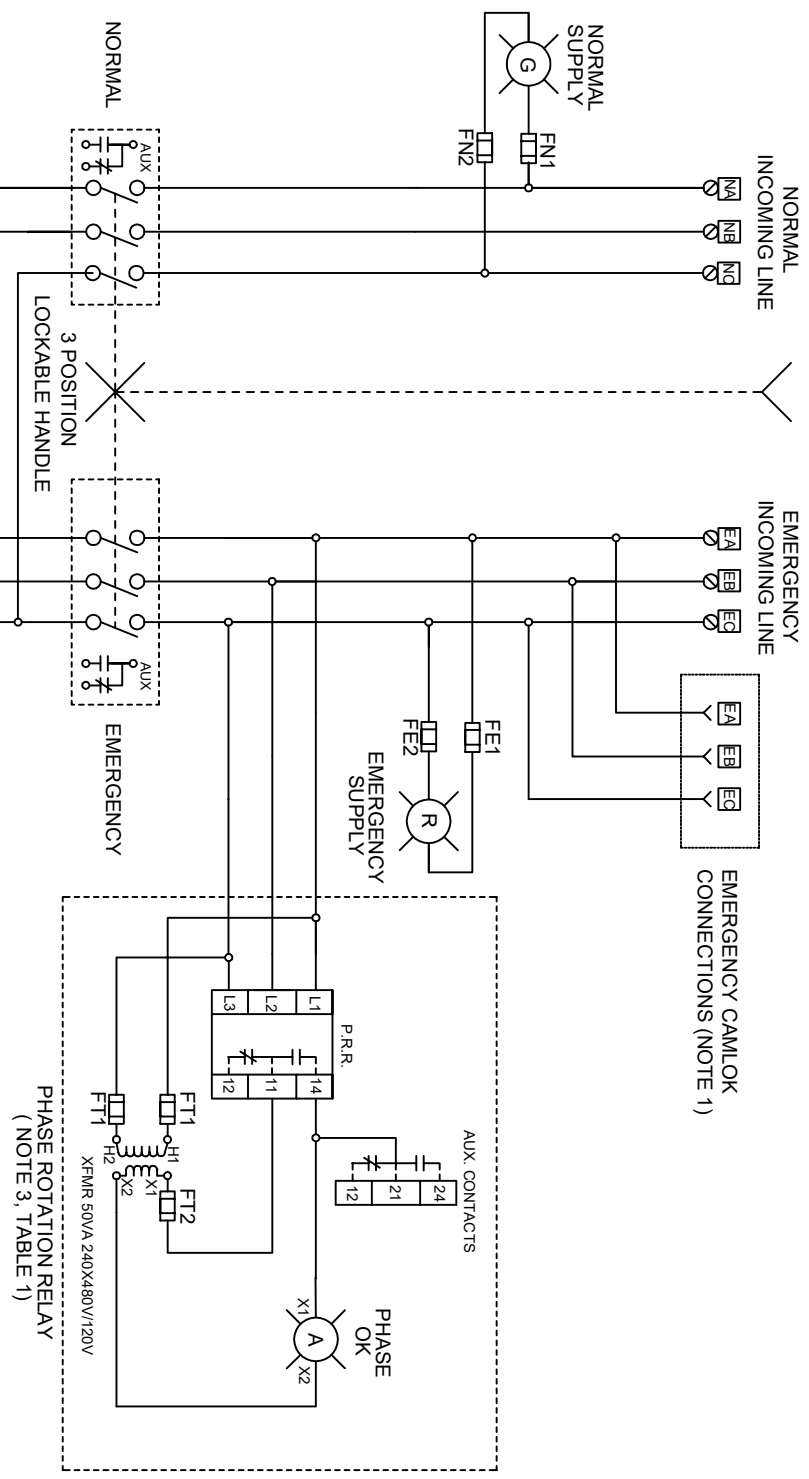
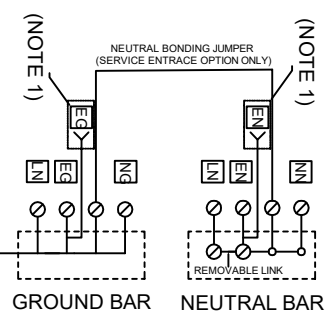
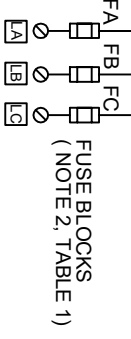


TABLE 1: FUSE SIZING

FUSE	AMPERAGE	VOL TAGE	FUSE CLASS
FA, FB, FC	60 - 600	120/208	R
FA, FB, FC	60 - 600	480-600	J
FA, FB, FC	800 - 3000	480-600	L
FN1, FN2, FE1, FE2		208/240	1A
FN1, FN2, FE1, FE2		480	1A
FT1		208/240	.6A
FT1		480	.3A
FT2		120	.5A



NOT FOR CONSTRUCTION

Drawing no.	3 POLE KRATOS MTS WIRING DIAGRAM
Project Code	
Project	

REV	DATE	BY	DESCRIPTION
03	10/07/20	TH	ADDED PHASE ROTATION OPTION
02	4/28/20	TH	UPDATED FUSE INFORMATION
01	2/12/20	TH	QUOTATION PACKAGE DRAWINGS

Mailing Address:  
 15892 W. 74th Ave.  
 Arvada, CO 80007

This drawing is considered company confidential and property of Kratos Industries, LLC and shall not be used without written consent.

